

The new liquid receivers PED group III – IV

A product that completes the range
with receivers of large capacity Group III – IV.
Capacities reach 450 liters
with working pressures till 37 bar.

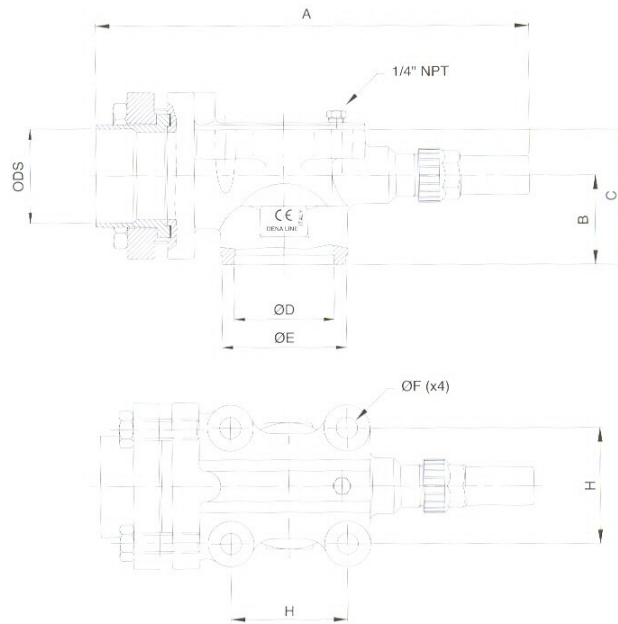
**Helium tested 100% with leakages
inferior to 6 gms/year.**

Available with Denaline ductile cast iron
valves PED and UL approved.



Ductile Cast Iron Valves

Category 0 - I



Technical Data

CODE	ODS Inch.-mm	NOMINAL SIZE	A mm	B mm	C mm	ØD mm	ØE mm	ØF mm	H mm
56001	1 3/8"	DN 40	257	46	68	54	70	13.5	63.5
56002	1 5/8"								
56003	42								
56011	2 1/8"	DN 50	304	62	86	64.3	81.5	17.5	77.8
50003	1 5/8"								
50001	2 1/8"								
50002	2 5/8"	DN 70	368	76	115	85.3	105.5	17.5	99
52002	2 5/8"								
52001	3 1/8"								
52003	80	DN 94	414	91	135	110	130.5	20	122
54001	4 1/8"								

- Designed according to directive 97/23/EC (PED).
- Maximum working pressure: 37 bar.
- Minimum/Maximum working temperature: -40/+150° C
- Refrigerant fluids: group 2 of PED.
- Second gauge port 1/4" NPT on request.
- Anti rust surface treatment on request.

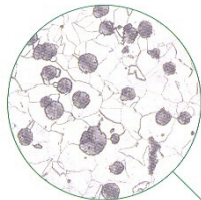
The new ductile cast iron valves

Denaline ductile cast iron valves complete the already wide range of steel valves.

These valves have been projected and tested for a long time to guarantee better performances of the high power refrigerating compressors.

The available models are: DN 40 - DN 50 - DN 70 - DN 94. They can be supplied with counterflange and soldering connection, with gauge port and by-pass.

The valves are 100% helium tested with leakages inferior to 6 gms/year. On request they can be supplied with surface treatment guaranteed at 250 hours in salty fog according to the directives ASTM B 117-03.

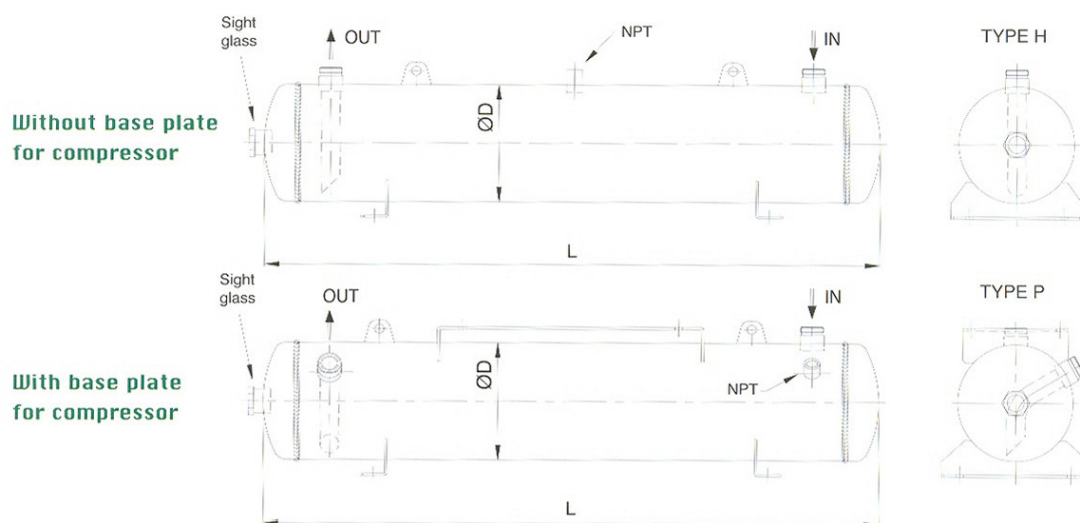


View at microscope of ductile iron casting



Horizontal Liquid Receivers

Category III - IV



Technical Data

CODE TYPE H	CODE TYPE P	VOLUME Liters	ØD mm	L mm	CODE TYPE H	CODE TYPE P	VOLUME Liters	ØD mm	L mm
DLH.219.900.0	DLP.219.900.0	30	219.1	900	DLH.273.2020.0	DLP.273.2020.0	105	273.0	2020
DLH.219.1155.0	DLP.219.1155.0	39	219.1	1155	DLH.355.1300.0	DLP.355.1300.0	112	355.6	1300
DLH.219.1585.0	DLP.219.1585.0	54	219.1	1585	DLH.355.1830.0	DLP.355.1830.0	160	355.6	1830
DLH.273.1100.0	DLP.273.1100.0	56	273.0	1100	DLH.508.1315.0	DLP.508.1315.0	220	508.0	1315
DLH.273.1420.0	DLP.273.1420.0	73	273.0	1420	DLH.508.1815.0	DLP.508.1815.0	320	508.0	1815
DLH.273.1720.0	DLP.273.1720.0	89	273.0	1720					

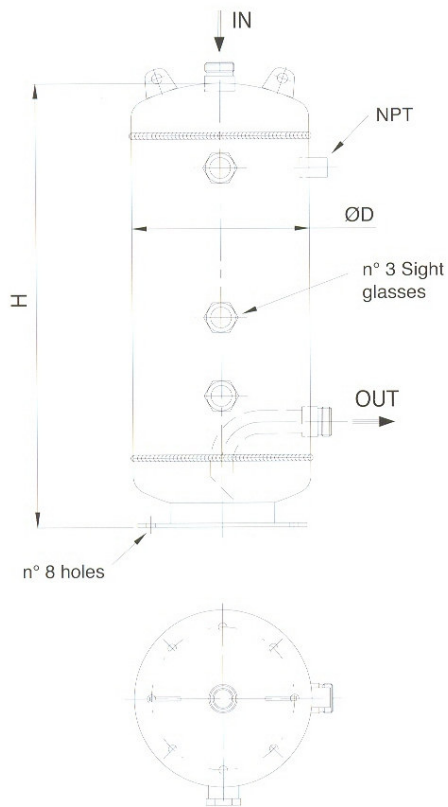
- Designed according to directive 97/23/EC (PED).
- Refrigerant fluids: group 2 of PED.
- Receivers are available up to 450 liters volume.
- Position and quantity of lifting hooks depend on the type of receiver.

OPTIONAL FITTINGS

Rotalock valves	Straight rotalock connections	Ductile cast iron valves	Connections with ductile cast iron flange

Vertical Liquid Receivers

Category III - IV



Technical Data

CODE	VOLUME Liters	ØD mm	H mm
DLV.219.925.0	50	219.1	925
DLV.219.1180.0	59	219.1	1180
DLV.273.1125.0	56	273.0	1125
DLV.273.1445.0	73	273.0	1445
DLV.273.1745.0	89	273.0	1745
DLV.355.1325.0	112	355.6	1325
DLV.355.1855.0	160	355.6	1855
DLV.508.1340.0	228	508.0	1340
DLV.508.1840.0	320	508.0	1840

- Designed according to directive 97/23/EC (PED).
- Refrigerant fluids: group 2 of PED.
- Receivers are available up to 450 liters volume.
- Position and quantity of lifting hooks depend on the type of receiver.

OPTIONAL FITTINGS

Rotalock valves	Straight rotalock connections	Ductile cast iron valves	Connections with ductile cast iron flange